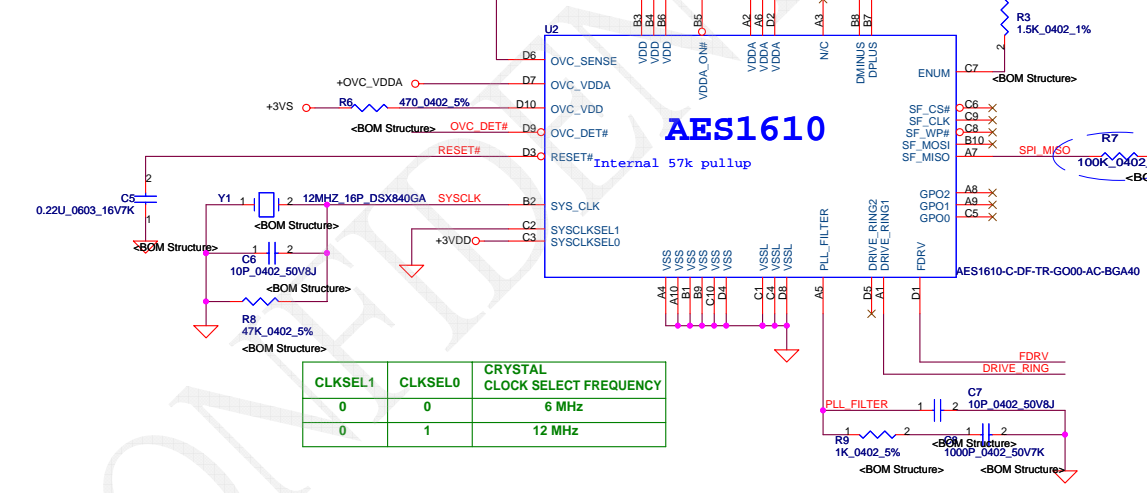
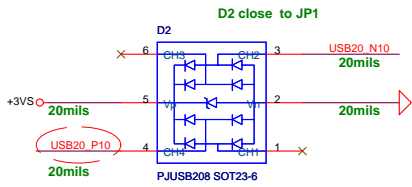
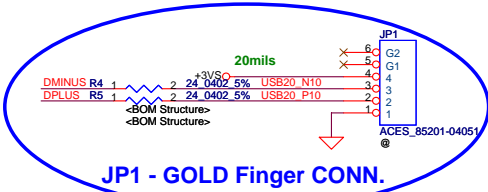
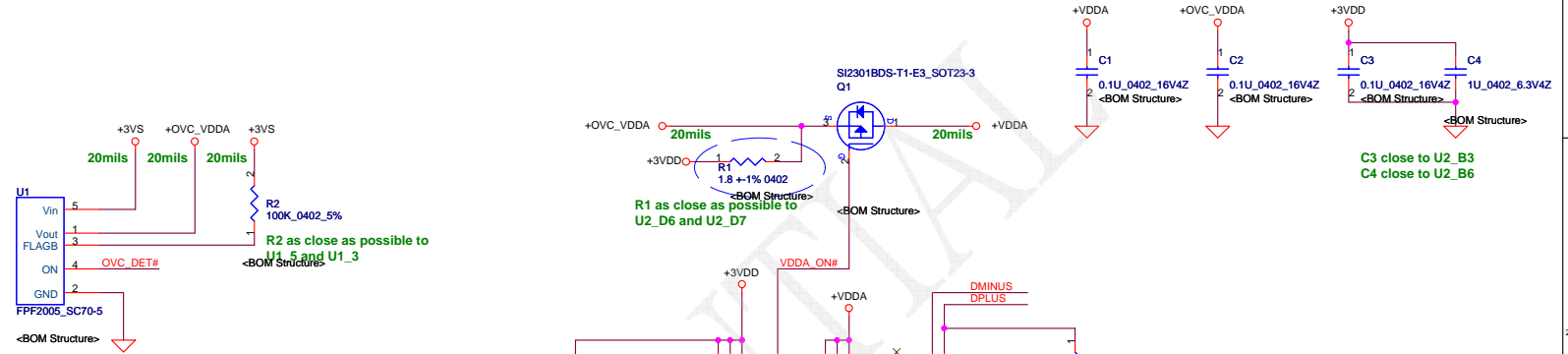
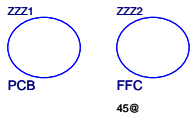


COMPAL CONFIDENTIAL

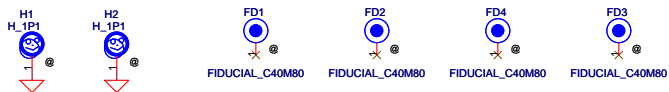
MODEL NAME: KALAO
PCB NAME: LS-4683P REV1.0 FP/B
COMPAL P/N: DA60000A310
REVISION: 1.0
DATE: 2008/11/27



CLKSEL1	CLKSEL0	CRYSTAL CLOCK SELECT FREQUENCY
0	0	6 MHz
0	1	12 MHz



Add FD1-FD4 (20071207)



Security Classification		Compal Secret Data		Title	
Issued Date	2008/11/27	Deciphered Date	2009/11/27	Compal Electronics, Inc.	
				SCHEMATIC FINGERPRINT/B S4683	
Size	Document Number	4059VC		Rev	B
Date:	Friday, November 27, 2008	Sheet	1	of	1

THIS SHEET OF ENGINEERING DRAWING IS THE PROPRIETARY PROPERTY OF COMPAL ELECTRONICS, INC. AND CONTAINS CONFIDENTIAL AND TRADE SECRET INFORMATION. THIS SHEET MAY NOT BE TRANSFERRED FROM THE CUSTODY OF THE COMPETENT DIVISION OF R&D DEPARTMENT EXCEPT AS AUTHORIZED BY COMPAL ELECTRONICS, INC. NEITHER THIS SHEET NOR THE INFORMATION IT CONTAINS MAY BE USED BY OR DISCLOSED TO ANY THIRD PARTY WITHOUT PRIOR WRITTEN CONSENT OF COMPAL ELECTRONICS, INC.